

3.02.0218-说明书C1-中英文-册子-RALCAM-2025-08-08

要求:

展开尺寸: 210*148mm

封面底面200g铜版纸单面覆哑膜, 内页80g双胶纸, 采用无线胶装方式装订

封面底面内页不印内容, 照顺序排版印刷



3mm

210mm

148mm

中文

PEAK FORCE

产品特点

RALCAM是一家创新工具供应商，成立于2010年。我们可以为客户提供全方位的内窥镜解决方案服务。RALCAM-C1系列是一款热销的转向内窥镜。它是一款汽修必备的产品，专为全球汽车售后市场新推出的。

电气安全

请勿将内窥镜暴露在雨中或潮湿环境中。

个人安全

在疲倦时或用药期间请勿使用本产品。
使用该工业内窥镜时可选择佩戴必要的防护用具。
操作本产品时不要过度伸张，要保持身体平衡站位。

工业内窥镜的使用与护理

此款工业内窥镜(视觉检测摄像装置)仅限工业检测，不适合医疗使用或人体检查。
内窥镜闲置时放于儿童接触不到的地方，禁止不熟悉产品的人员使用。
维护工业内窥镜，要检查活动部件是否对准及捆绑，零件损坏及任何其他情况都可能影响到它的有效使用。
便携式工业内窥镜冒烟或散发出气体时请勿使用。如果已经损坏，修复后再使用。
使用便携式工业内窥镜，配件和工具等，要根据操作手册，并考虑工作条件等进行操作。

一般性安全信息

感谢您选择我司的便携式工业内窥镜。此款是全球专利产品，使用产品前请仔细阅读操作手册。

安全使用条件

保持使用区域的清洁。(混乱或暗区易发生事故)。
请勿在易爆环境使用便携式工业内窥镜，例如存在易燃液体、气体或粉尘环境中。
不要在某些可能接触电线或带电物体区域使用便携式工业内窥镜。工具暴露在外面的金属部位接触火线会导致使用者被电击。
请勿在移动状态的设备附近使用便携式内窥镜。
请勿在任何热源附近使用。
操作便携式工业内窥镜时请让儿童或旁观者保持距离。

3mm

210mm

148mm

PEAK FORCE

产品介绍

1 手机支架

拉开手机支架顶部，将手机插入手机支架(支持3.5英寸至6.3英寸屏幕的手机),用数据线连接手机和手柄。

2 USB接口

使用数据线连接手机和手柄，连接后听到“滴”一声提示。

3 拨轮

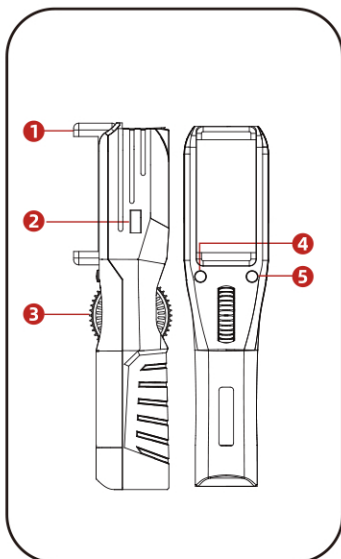
上下滑动拨轮，相机角度随之变化。

4 LED灯按钮

设备在连接手机时会自动进入相机模式，短按按钮调整亮度，亮度分为3级，第四级是关闭LED灯。

5 拍照/录像

短按拍照。
长按按钮约3秒钟切换到录像模式，然后短按开始录像，再次短按结束录像。



2

RALCAM

CN

PEAK FORCE

APP 下载和安装

兼容 IOS 和 Android 设备

使用方法:

步骤 1: iPhone 设备 - 在 Appstore 中搜索 “SnakCam” 或扫描二维码下载并安装 APP。

Android 设备 - 扫描二维码下载并安装 APP, 支持 Android 10 及以上版本。

使用前请打开 OTG 功能。



Android

IOS(App Store)

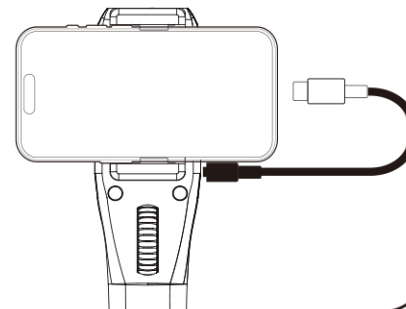
Android(Google Play)

步骤 2: 将手机放到手机支架上, 并使用 OTG 数据线连接 iPhone/Android 设备和设备 USB 数据接口

步骤 3: 打开 APP:SnakCam 手机自动弹出图像。

注意:

如果您的手机无法连接我们的内窥镜, 可能是由于软件兼容性问题, 请联系我们寻求帮助!



CN

RALCAM

3

中文

中文

3mm



210mm

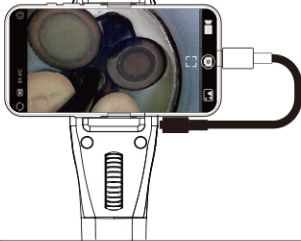
中文

▶ PEAK FORCE




OSD 设置

语言设置

1. 点击  图标，将显示选择菜单。
2. 选择菜单项“语言”。
3. 点击  图标返回图像预览界面



拍照/录像

点击  或按手柄上的  按钮拍照。
 点击  切换到视频模式。

时间戳

点击“时间戳”图标切换设置。当启用时，时间戳将出现在您的照片和视频上。



4

RALCAM

CN

中文

▶ PEAK FORCE

故障排除

故障	可能原因	解决方法
图像模糊	1. 探头脏污 2. 探头不在景深范围内 3. 镜头因高温受损	1. 用包装内的无尘布清洁探头。 2. 请将探头放置在20-100mm景深范围内。 3. 不要将探头置于高温环境中(70°C以下)
不显示图像	APP未获得权限	1. 必须使用原配数据线。 2. 打开手机OTG功能。 3. 重新安装新APP。

包装清单

C1	数据线	用户手册

CN

RALCAM

5

148mm

3mm

210mm

148mm

▶ PEAK FORCE

中文 规格

规格		型号					
		C104	C105	C106	C106-S	C108	C108-S
相机与探头	相机分辨率	JPG640*480/1280*720				JPG: 640*480 1280*720/1440*1080 1600*1200	
	转向半径	约25mm	约28mm	约30mm		约30mm	
	转向角度	双向 180°					
	转向寿命	≥20000 次					
	蛇管长度	1M/2M/3M/4M/5M /可定制					
	镜头直径	3.9mm	5.5mm	6.2mm		8.5mm	
	视场角(FOV)	78°	90° ±3	78° ±3		90° ±3	
	景深(DOF)	20-60mm	15-100mm	25-70mm		30-70mm	
	可调节LED灯	高流明LED灯珠					
	防水等级	IP67					
高温保护自动关闭 超过90°C	√						
包装	盒子尺寸	30.2*17.6*6.9cm					
	纸箱尺寸	55*36.5*33.5cm					
操作环境	温度及相对湿度	-10° C~50° C; 90%以下					
认证	CE; FCC; ROHS; 专利	√					

6

RALCAM

CN

▶ PEAK FORCE

Product Features

RALCAM is an innovative tool supplier established in 2010. We provide comprehensive endoscope solutions for our customers.

The RALCAM-C1 series is a popular articulating endoscope, essential for automotive applications and newly launched for the global automotive aftermarket.

Electrical Safety

Do not expose the endoscope to rain or damp environments.

Personal Safety

- Do not use this product when fatigued or under the influence of medication.
- It is advisable to wear necessary protective gear when using this industrial endoscope.
- Avoid overreaching and maintain a balanced stance while operating the product.

Usage and Care of the Industrial Borescope

- This industrial endoscope (visual inspection camera device) is intended solely for industrial inspection and is not suitable for medical use or human examination.
- When not in use, keep the endoscope out of reach of children, and do not allow untrained personnel to operate it.
- For maintenance, ensure that moving parts are aligned and secured; any damaged parts or other issues could affect its effective use.
- Do not use the portable industrial endoscope if it emits smoke or gas. If damaged, repair it before further use.
- Operate the portable industrial endoscope, accessories, and tools according to the manual, considering the working conditions.

General Safety Information

Thank you for choosing our portable industrial endoscope. This globally patented product should be used only after carefully reading the operation manual.

Safe Operating Conditions

- Keep the working area clean, as cluttered or dark areas are prone to accidents.
- Do not use the portable industrial endoscope in explosive environments, such as where flammable liquids, gases, or dust are present.
- Avoid using the portable endoscope near live wires or energized objects, as exposed metal parts of the tool could cause electric shock.
- Do not use the endoscope near moving machinery.
- Avoid using it near any heat sources.
- When operating the portable industrial endoscope, keep children and bystanders at a safe distance.

EN

RALCAM

1

English

3mm

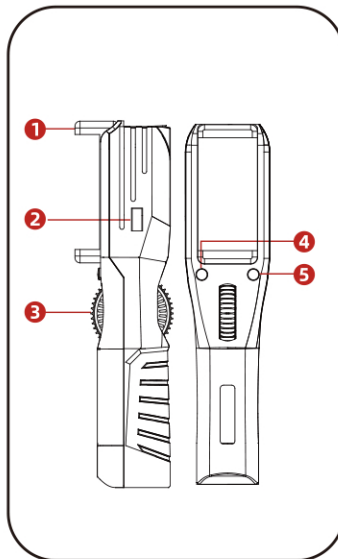
210mm

148mm

▶ PEAK FORCE

Product Introduction

- 1** Phone Holder
Pull up the top of the phone holder and insert your phone (supports phones with screens from 3.5 inches to 6.3 inches). Connect the phone and handle using a data cable.
- 2** USB Interface
Use the data cable to connect the phone and the handle. A "beep" sound will indicate a successful connection.
- 3** Steering Wheel
Move the steering wheel up or down to adjust the camera angle.
- 4** * LED Light Button
When the device is connected to the phone, it will automatically enter camera mode. Press the button to adjust the LED light brightness, which has 3 levels. Pressing it the fourth time will turn off the LED light.
- 5** 📷 Photo/Video
Short press to take a photo;
Press and hold the button for about 3 seconds to switch to video recording mode, then press briefly to start recording. Press briefly again to stop recording.



2

RALCAM

EN

▶ PEAK FORCE

APP Download and Installation

Compatible with IOS and Android device

Instructions

Step 1: For iPhone devices: Search for "SnakCam" in the App Store or scan the QR code to download and install the app.

For Android devices: Scan the QR code to download and install the app. Compatible with Android 10 and above. **Please enable the OTG function before use.**

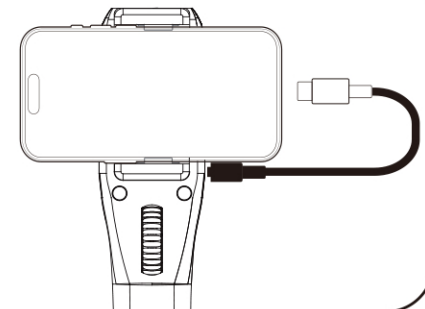


Step 2: Place the phone on the phone holder and use an OTG data cable to connect the iPhone/Android device to the USB data port of the device.

Step 3: Open the "SnakCam" app, and the phone will automatically display the image.

Note:

If your phone cannot connect to our endoscope, it may be due to software compatibility issues. Please contact us for assistance!



EN

RALCAM

3



3mm

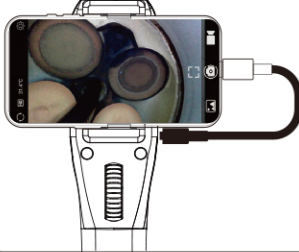
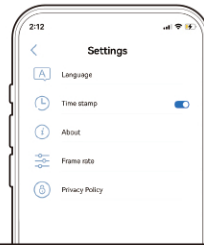
210mm

▶ PEAK FORCE




OSD Settings

Language Settings

1. Click the  icon to display the selection menu.
2. Select the menu item "Language."
3. Click the  icon to return to the image preview interface.

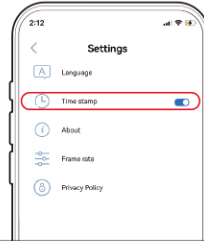


Photo/Video

1. Click the  icon or the  button on the handle to take a photo.
2. Click the  icon to switch to video mode.

Timestamp

Click the "Timestamp" icon to toggle the setting. When enabled, the timestamp will appear on your photos and videos.



4

RALCAM

EN

▶ PEAK FORCE

Troubleshooting

Issue	Possible Causes	Solutions
Blurry Image	<ol style="list-style-type: none"> 1. Probe is dirty. 2. Probe is out of depth of field. 3. Lens damaged due to high temperature. 	<ol style="list-style-type: none"> 1. Clean the probe with the dust-free cloth included in the package. 2. Ensure the probe is placed within a depth of field of 20-100mm. 3. Do not expose the probe to high-temperature environments (below 70°C).
No image displayed	APP not granted permission	<ol style="list-style-type: none"> 1. Use the original data cable. 2. Enable the OTG function on the phone. 3. Reinstall the new APP.

Packing List

C1	Cable	User Manual

EN

RALCAM

5

148mm

English

English

3mm

210mm



Specifications

Specifications		Model					
		C104	C105	C106	C106-S	C108	C108-S
Camera and Probe	Camera Resolution	JPG640*480/1280*720			JPG: 640*480 1280*720/1440*1080 1600*1200		
	Turning Radius	Approximately 25mm	Approximately 28mm	Approximately 30mm		Approximately 30mm	
	Turning Angle	Two-way 180°					
	Bending Times	≥20000 times					
	Snake Tube Length	1M/2M/3M/4M/5M customizable					
	Lens Diameter	3.9mm	5.5mm	6.2mm		8.5mm	
	Field of View(FOV)	78°	90°±3	78°±3		90°±3	
	Depth of Field(DOF)	20-60mm	15-100mm	25-70mm		30-70mm	
	Adjustable LED Light	High-lumen LED beads					
	Waterproof Rating	IP67					
High-temperature protection automatically turns off above 90 C	√						
Packaging	Box Size	30.2*17.6*6.9cm					
	Carton Size	55*36.5*33.5cm					
Operating Environment	Temperature and Relative Humidity	-10°C~50°C; Below 90%					
Certification	CE; FCC; ROHS; Patents	√					

English

148mm