

3.02.0187.0-说明书H4B-五国语言-册子-RALCAM-2025-12-26

尺寸:210*148mm,展开尺寸,照尺寸做货
要求:封面底面200g铜版纸单面覆哑膜,
内页80g双胶纸,采用无线胶装方式装订
封面封底内页印内容,照顺序排版印刷

210mm

148mm

PF PEAK
FORCE

For more language versions of the manual, please scan the QR code below to view/download.

Für weitere Sprachversionen des Handbuchs scannen Sie bitte den QR-Code unten, um sie anzuzeigen/herunterzuladen.

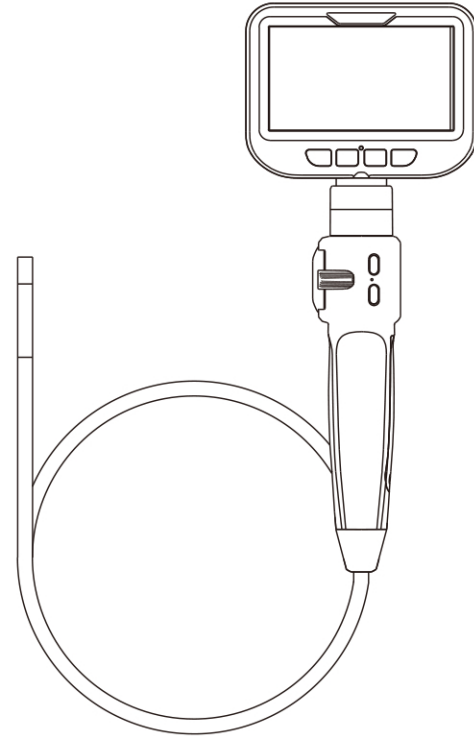
より多くの言語バージョンのマニュアルについては、下記のQRコードをスキャンして表示/ダウンロードしてください。

Для получения дополнительных языковых версий руководства, пожалуйста, отсканируйте QR-код ниже, чтобы просмотреть/скачать.

Para más versiones del manual en diferentes idiomas, escanea el código QR de abajo para ver/descargar.

Para mais versões do manual em diferentes idiomas, por favor, escaneie o código QR abaixo para ver/baixar.

يؤنثاللا زهرلا جسم يچري بيتهكللا نم قفلاتكم تاغلب خسنلا نم دوزم اديوزنت/خرعلا هاندا داعبالا



H4B User Manual

3mm

210mm

148mm

▶ PEAK FORCE

Product Features

RALCAM is an innovative tool supplier established in 2010. We provide one-stop solution service of borescope for customers.

RALCAM-H4B Series is a Hot-selling Articulating Borescope. It's a must-have product and newly launched for global automotive aftermarket.

Safety and Protection

- The camera probe is a high precision electronic device. Please do not touch the camera probe or pull the cable, which it may lead to device failure.
- The camera probe has an IP67 waterproof layer, and the body is not waterproof. When using the probe, be extra careful to prevent scratches!
- The camera probe is made of materials that are not resistant to high temperatures, so when checking any internal combustion engine or other equipment with high internal temperatures, please ensure that the internal temperature has cooled down, otherwise the equipment may be directly damaged!
- The exposed metal part of this product is made of conductive material. Please avoid contacting live circuits.
- If any equipment is damaged, please do not disassemble it by yourself. Please contact the seller or supplier for professional repair service.
- Without adult guidance, children cannot use the device independently.

Operating and storage environment

- The equipment should be operated at an ambient temperature of 22~118°F (-10~50°C).
- The equipment should be stored in a dry, clean, oil-free, water-free, and free of any chemical liquid environment.

Warning

- Before using this product, please read the instructions carefully and follow them to avoid injury.
- Disassembly of this product is strictly prohibited, and we shall not be liable for any damage caused by unauthorized disassembly of this product.
- The main body of this product is not waterproof. Please avoid contact with liquids.
- Do not over-bend the camera probe. The bending limit of the snake tube is one cycle.
- Do not twist or pull the camera probe at the front of the snake tube.
- Before pulling out the snake tube, make sure the steering wheel is back to the centered position, and do not turn the steering wheel violently.

1

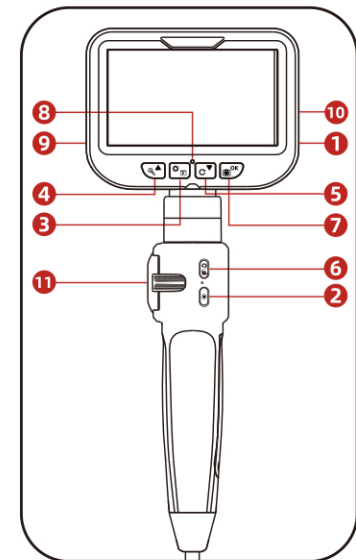
BORESCOPE

EN

▶ PEAK FORCE

Product Introduction

- 1** **Power Button**
Press the power button for about 3 seconds to turn on the device. When powered on, the borescope will automatically enter camera mode.
- 2** **LED Light Button**
Press the button to adjust brightness. The brightness has 3 levels, and the fourth level turns off the LED light.
- 3** **Menu/Album Button**
In preview interface, press to enter the menu and press again to exit the menu.
In preview interface, long press for 3 seconds to enter the album, and long press for another 3 seconds to exit the album.
In album interface, press to enter the menu. You can select delete, protect, or slideshow, and press again to return to the album.
- 4** **Up/Zoom In Button**
In preview interface, press to zoom in the preview image by 2x or 4x.
In menu interface, press to move the cursor up, and long press to quickly move the cursor up.
- 5** **Down/Rotate Button**
In preview: tap to rotate the preview image;
in the menu: tap to move the cursor down.
- 6** **Photo/Video Button**
In preview interface, press to take a photo. Long press for 3 seconds to switch to video interface and start recording. Press again, or press the OK button to stop recording, save the video, and return to photo interface.
- 7** **OK/Confirm/Photo Button**
Press to take a photo. Long press for 2 seconds to switch to video mode and start recording. Press again or long press to end video mode. In menu interface, press to confirm selection.
- 8** **Charging Indicator**
The blue indicator lights up when powered on. The red LED flashes while charging, and the green LED stays on when fully charged.



- 9** **TF Card Slot**
Supports TF cards up to 32GB. If not using the original memory card, please format the TF card before first use.
- 10** **Type-C Charging Port**
Used for charging (Type-C cable connected to the adapter). Used for data transfer (Type-C cable connected to the PC client).
- 11** **Steering Wheel**
Slide the wheel up and down to change the camera angle accordingly.

EN

BORESCOPE

2

3mm

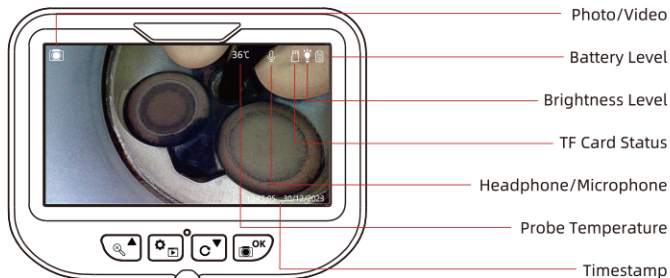
210mm

▶ PEAK FORCE

English

Icon Introduction

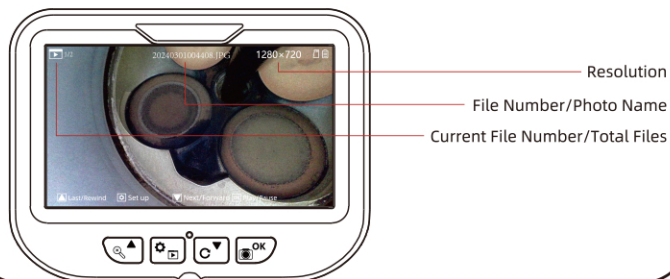
Preview Interface



Note:

Whether the working temperature of the camera probe or the ambient temperature reaches 90°C, the device will automatically shut down due to high-temperature protection. Only the camera probe part is waterproof.

Album Interface



3

BORESCOPE

EN

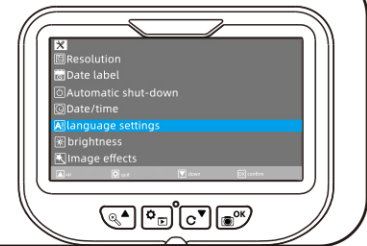
▶ PEAK FORCE

English

OSD Settings

Language Settings

1. Press the button (menu button) to display the selection menu. The first item is language settings, press the button to confirm, and the language options will appear.
2. Use the button to select the menu item "Language".
3. Press the button (OK button) to confirm the selection.
4. Press the button (menu button) to return to the image preview interface.



View Photos/Videos

1. In the preview interface, long press the button for 2 seconds to enter the gallery.
2. Press the button to select photos or videos, press the button to play the video. Press the button again to pause the video.
3. Long press the button to exit the gallery and return to the preview interface.



Take Photos/Record Videos

1. (In the preview interface) Press the button on the handle to start taking photos.
2. Long press the button or button for 2 seconds to switch to video recording mode, and it will automatically start recording. Press again to stop recording the video.



EN

BORESCOPE

4

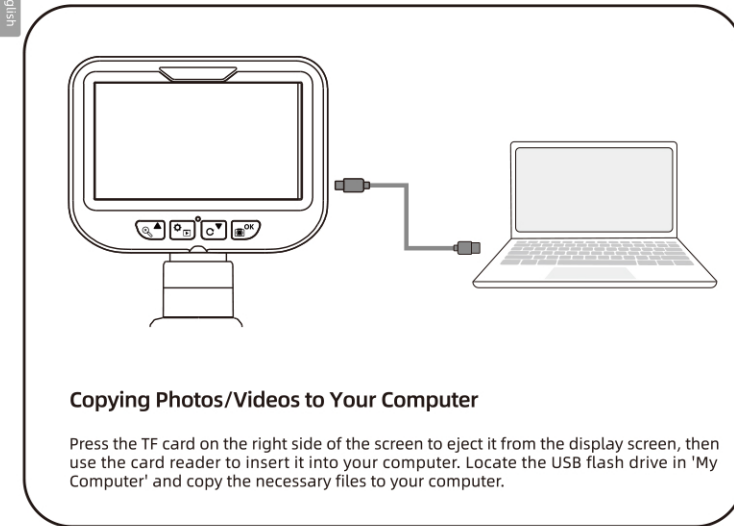
148mm

3mm

210mm

148mm

▶ PEAK FORCE



Copying Photos/Videos to Your Computer

Press the TF card on the right side of the screen to eject it from the display screen, then use the card reader to insert it into your computer. Locate the USB flash drive in 'My Computer' and copy the necessary files to your computer.

Package Contents

H4-B	Type-C Charging Cable	User Manual

5

BORESCOPE

EN

▶ PEAK FORCE

Specification

Specification	Model			
	H408B	H406B		
Display	Screen			
	4.3"IPS			
	Menu language			
	Chinese Simplified, Chinese Traditional, Japanese, English, Korean, French, Russian, Spanish, German			
	Function(Photos/Recording/ Playback/Image rotation)	√	√	
TF Card	√	√		
Real-time temperature	√	√		
Camera & Probe	Camera resolution	1920*1080p	1280*720p	
	Steering radius	32mm		
	Steering angle	Two-way 180°		
	Steering life	≥20000 times		
	Snake tube length	1M/2M/3M/Customizable		
	Lens diameter	Φ8.5*11.5mm	Φ6.2*16mm	
	Camera perspective	80°	90°	
	Best focal distance	20-100mm		
	Adjuster LED light	High Lumen LED Beads		
	Waterproof	IP67		
	High temperature protection over 90°will shutdown automaticaly	√	√	
	Package	Box size	42.5*28*8cm 1.6kg	
		Carton size	58*47*37.5cm 16kg	
Operating Environment	Battery Charging	DC5V*1A; 8.14Wh		
	Working time	About 4 Hours		
	Temperature & relative humidity	-10C° ~ 50C°, Less than 90%		
Certification	CE; FCC; ROHS; Patent	√	√	

EN

BORESCOPE

6

3mm

210mm

148mm

▶ PEAK FORCE

产品特点

RALCAM 是一家创新的工具供应商，成立于2010年。我们可以为客户提供全方位的内窥镜解决方案服务。RALCAM-H4-B 系列是一款热销的转向内窥镜。它是一款汽车必备产品，专为全球汽车售后市场新推出的。

安全与保护

- 摄像头探头是一种高精度的电子设备。请勿触摸摄像头探头或拉动电缆，这可能导致设备故障。
- 摄像头探头具有 IP67 防水层，机身不防水。使用探头时，请格外小心，以防划伤！
- 摄像头探头由不耐高温的材料制成，因此在检查任何内燃机或其他具有高内部温度的设备时，请确保内部温度已冷却，否则设备可能直接损坏！
- 本产品的外露金属部分由导电材料制成。请避免接触带电电路。
- 如果设备损坏，请勿自行拆卸。请联系卖方或供应商进行专业维修服务。
- 未经成年人指导，儿童不能独立使用该设备。

操作和存储环境

- 该设备应在环境温度为 22-118°F (-10-50°C) 的条件下操作。
- 该设备应存放在干燥、清洁、无油、无水、无任何化学液体的环境中。

警告

- 使用本产品前，请仔细阅读说明并遵循，以避免受伤。
- 严禁拆卸本产品，我们不对未经授权拆卸造成的任何损坏负责。
- 本产品主体不防水。请避免接触液体。
- 不要过度弯曲摄像头探头。蛇形管的弯曲极限为一个周期。
- 不要在蛇形管前端扭曲或拉动摄像头探头。
- 在拉出蛇形管之前，请确保方向盘已回到中心位置，并且不要剧烈转动方向盘。

1

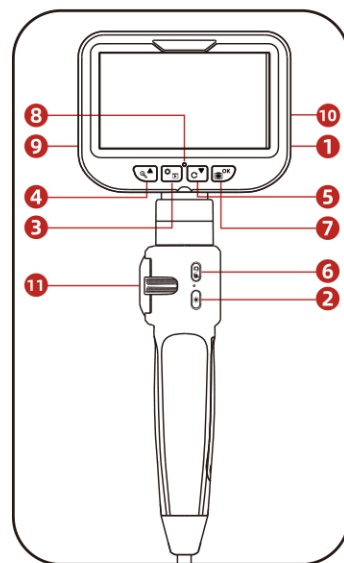
BORESCOPE

CN

▶ PEAK FORCE

产品介绍

- 1 电源按钮**
按下电源按钮约 3 秒钟以打开电源。当电源打开时，摄像头将自动进入相机模式。
- 2 LED 灯按钮**
点按按钮可调节亮度，亮度分为 3 个级别，第 4 个级别是关闭 LED 灯。
- 3 菜单/相册按钮**
在预览界面，点按进入菜单，再次点按退出菜单。在预览界面，长按 3 秒进入相册，再长按 3 秒退出相册。在相册界面，点按进入菜单，可选 删除、保护，或幻灯片播放，再次点按返回相册。
- 4 上/放大按钮**
在预览界面中点按，可以把预览界面图像 x2 x4 倍放大。在菜单界面中点按以向上移动光标，长按快速向上移动光标。
- 5 下/旋转按钮**
在预览界面中点击可将实时图像旋转，在菜单界面中点击可向下移动光标。
- 6 拍照录像按钮**
在预览界面中点按，可拍摄照片。长按三秒可从拍照切换到录像模式，并开始录像。再次点按，或点按 OK 键会结束录像，保存视频，并返回拍照模式。
- 7 OK 确认 OK/拍照按钮**
点按以拍照，长按 2 秒以切换录像模式，并开始录像。再次点按或长按可结束录像模式。在菜单界面中点按以确认选择。
- 8 充电指示灯**
蓝色指示灯开机即亮，充电时红色 LED 常亮，充满电时绿色 LED 常亮。
- 9 TF 卡插槽**
支持最大 32GB 的 TF 卡存储。若非使用本机原装内存卡，在首次使用前，请格式化 TF 卡。
- 10 Type-C 充电端口**
用于充电（Type-C 线连接到适配器）。用于数据传输（Type-C 线连接到 PC 客户端）。
- 11 旋转拨轮**
上下滑动拨轮，摄像头角度相应变化。



CN

BORESCOPE

2

3mm

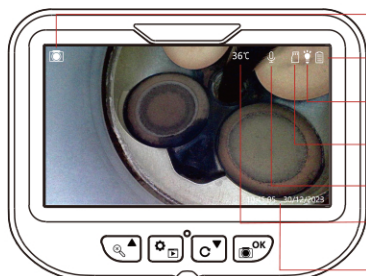
210mm

148mm

▶ PEAK FORCE

图标介绍

预览界面



拍照/录像

电池电量

亮度级别

TF 卡状态

耳机/麦克风

探头温度

时间戳

注意:

无论是摄像头探头的工作温度还是环境温度达到 90°C，设备都会因高温保护而自动关闭。并且只有摄像头探头部分是防水的。

相册界面



分辨率

文件编号/照片名称

当前文件序号/文件总数

▶ PEAK FORCE

OSD 设置

语言设置

1. 点按 按钮（菜单键），将显示选择菜单。第五项就是语言设置，点按 键确认，即出现语言选项。
2. 使用 按钮选择菜单项“语言”。
3. 按下 按钮（OK键）确认选择。
4. 按下 按钮（菜单键）返回到图像预览界面。



查看照片/视频

1. 在预览界面，长按 按钮 2 秒进入相册。
2. 点按 按钮选择照片或视频，点按 按钮播放视频。点按 按钮暂停视频。
3. 长按 按钮退出相册并返回到预览界面。

拍照/录像

1. (在预览界面) 点按手柄上的 按钮开始拍照。
2. 长按 按钮或 按钮 2 秒，切换到录制视频状态，并自动开始录制，再次点击结束录制视频。

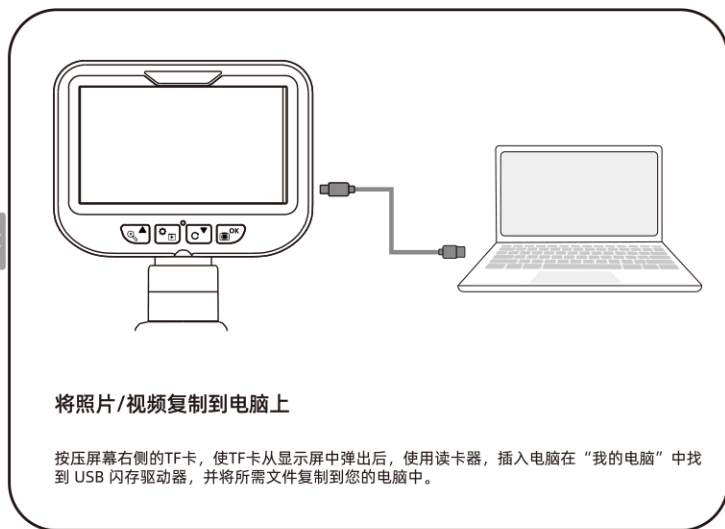


3mm

210mm

148mm

PEAK FORCE



将照片/视频复制到电脑上

按压屏幕右侧的TF卡，使TF卡从显示屏中弹出后，使用读卡器，插入电脑在“我的电脑”中找到USB闪存驱动器，并将所需文件复制到您的电脑中。

包装清单

H4-B	Type-C 充电线	用户手册

5

BORESCOPE

CN

PEAK FORCE

规格参数

规格		型号	
		H408B	H406B
显示	屏幕	4.3"IPS	
	菜单语言	简体中文,繁体中文,日语,英语,韩语,法语,俄语,西班牙语,德语	
	功能(照片/录制/回放/图像旋转)	√	√
	TF卡(最大32G)	√	√
	实时温度	√	√
摄像头和探头	摄像头分辨率	1920*1080p	1280*720p
	转向半径	32mm	
	转向角度	两向 180°	
	转向寿命	≥20000次	
	蛇管长度	1M/2M/3M/可定制	
	镜头直径	Φ8.5*11.5mm	Φ6.2*16mm
	视野(FOV)	80°	90°
	景深(DOF)	20-100mm	
	可调LED灯	高流明LED灯珠	
	防水	IP67	
	高温保护超过90°会自动关闭	√	√
包装	盒子尺寸	42.5*28*8cm 1.6kg	
	纸箱尺寸	58*47*37.5cm 16kg	
操作环境	电池充电	DC5V*1A; 8.14Wh	
	工作时间	大约4小时	
	温度和相对湿度	-10C°~ 50C°, 小于 90%	
认证	CE; FCC; ROHS; 专利	√	√

CN

BORESCOPE

6